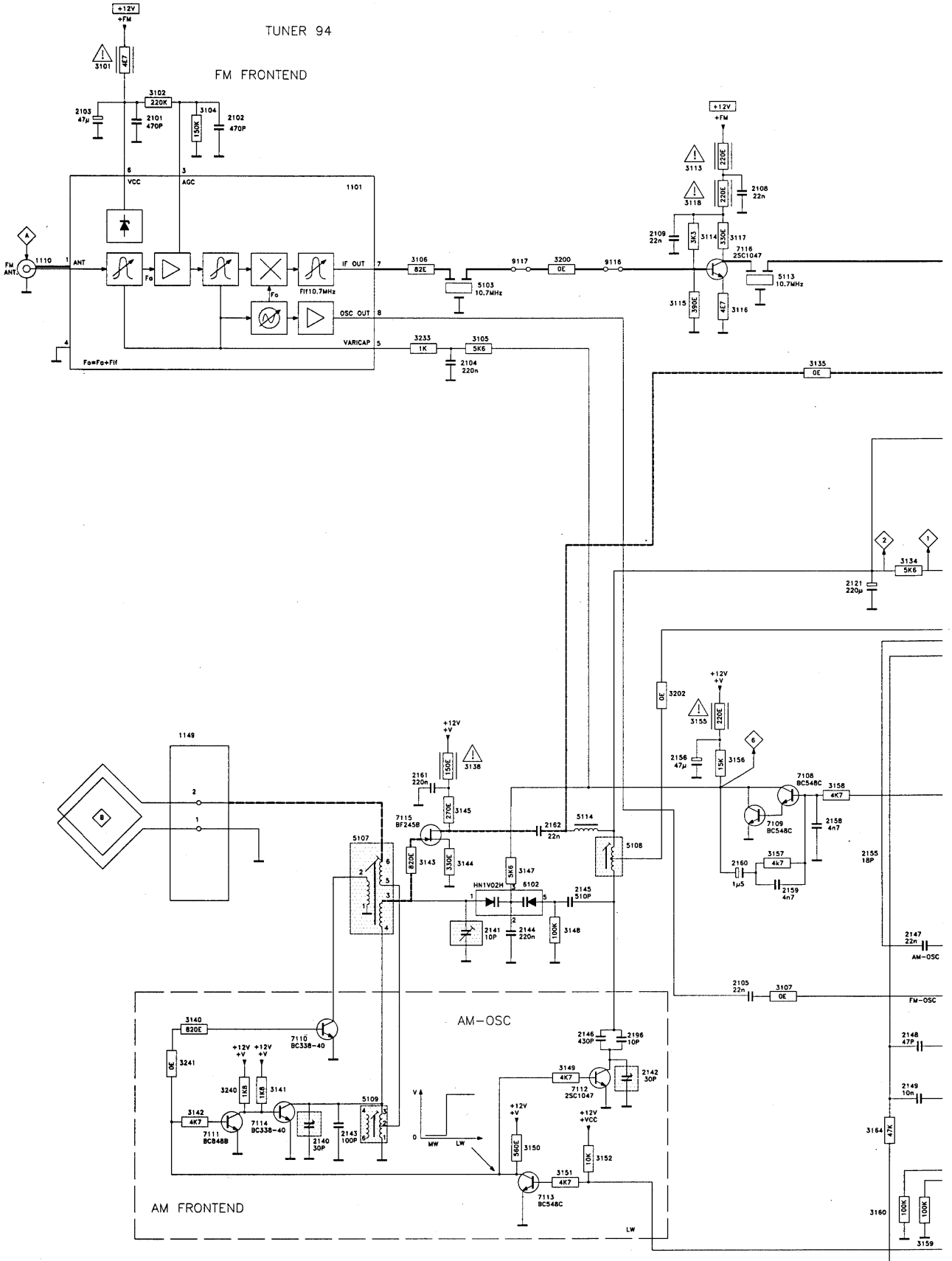
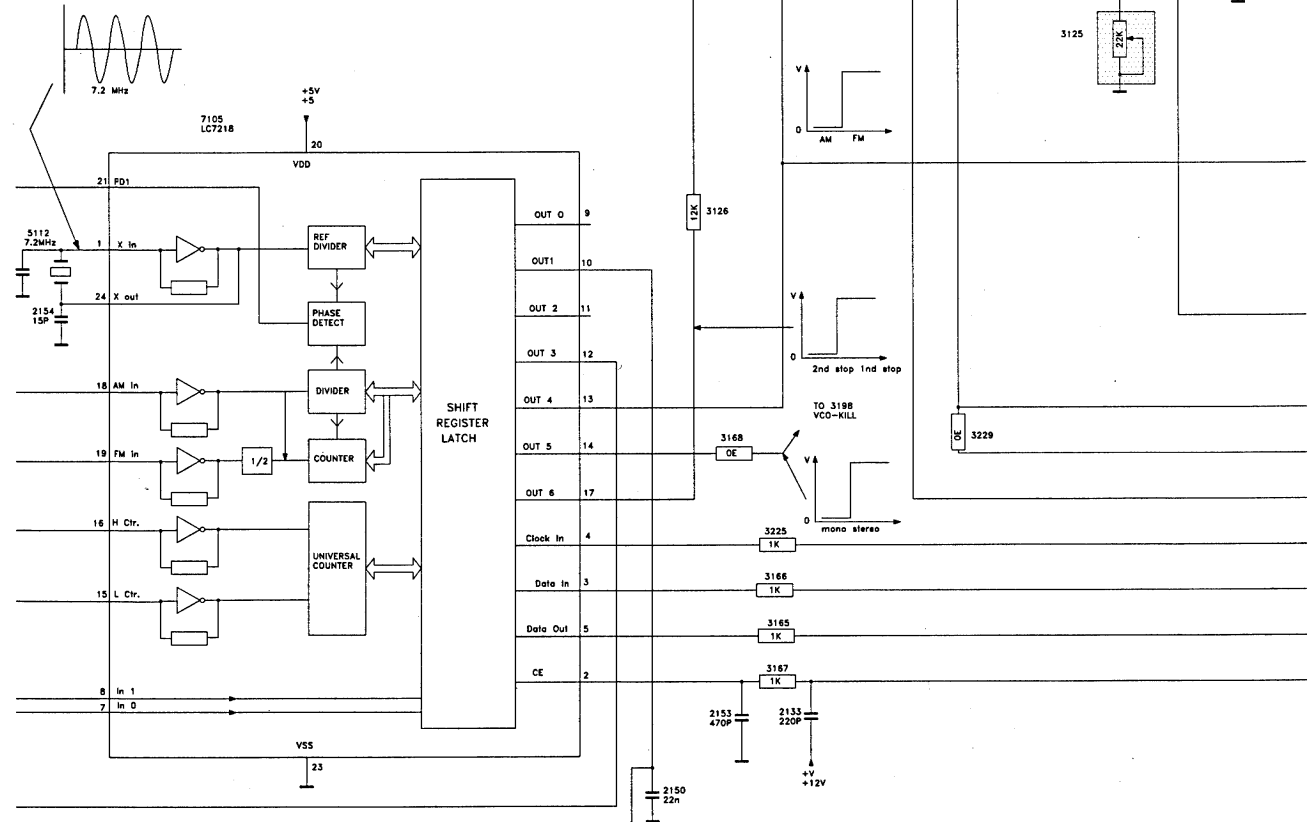
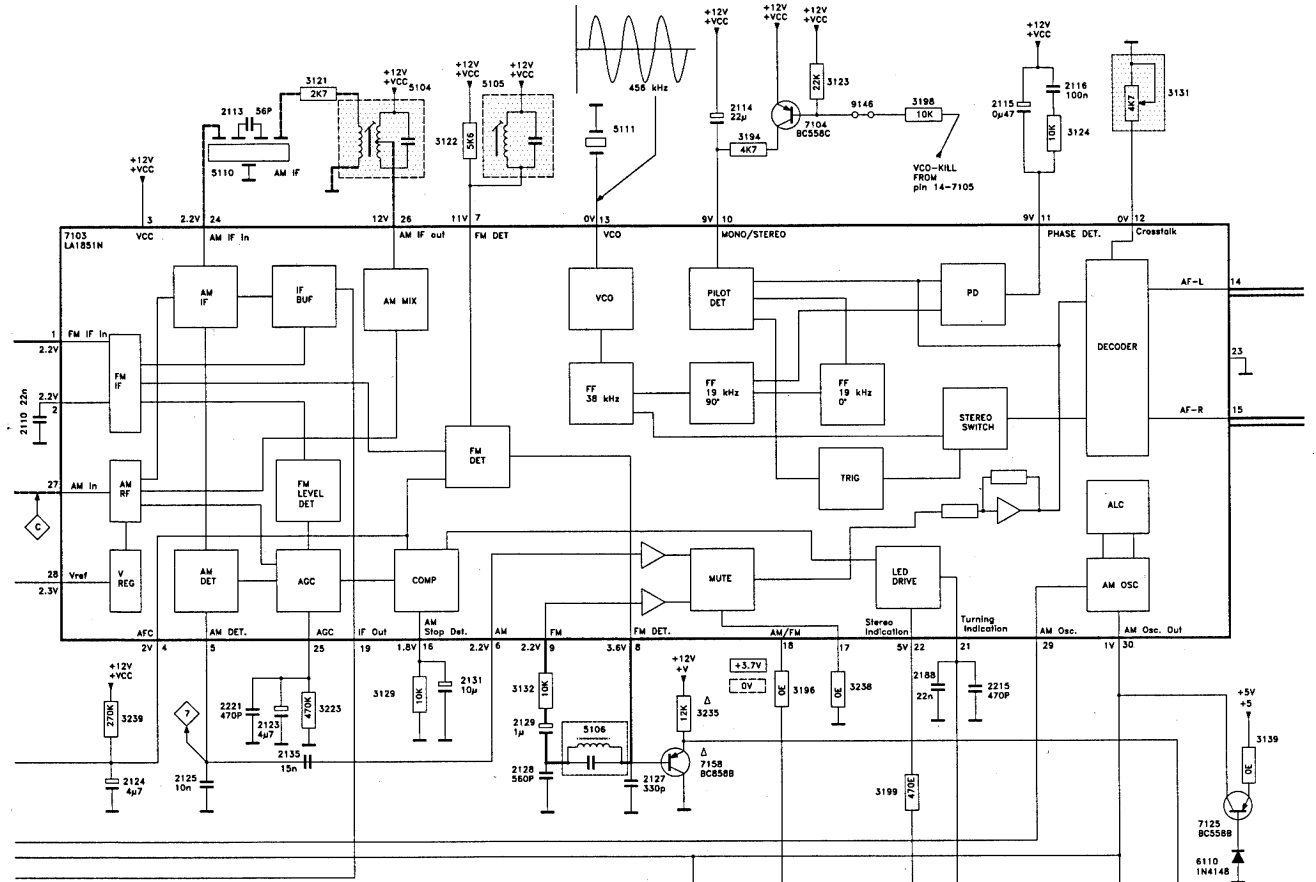
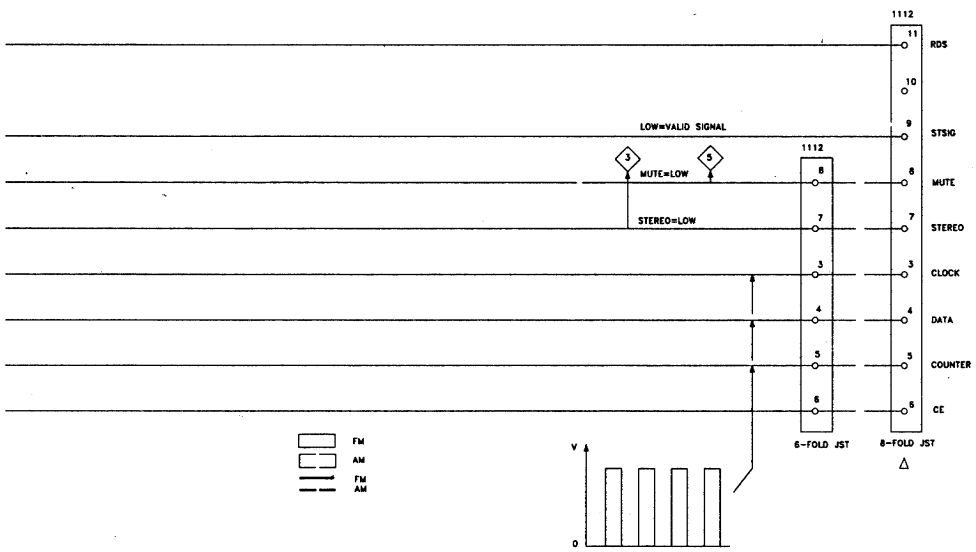
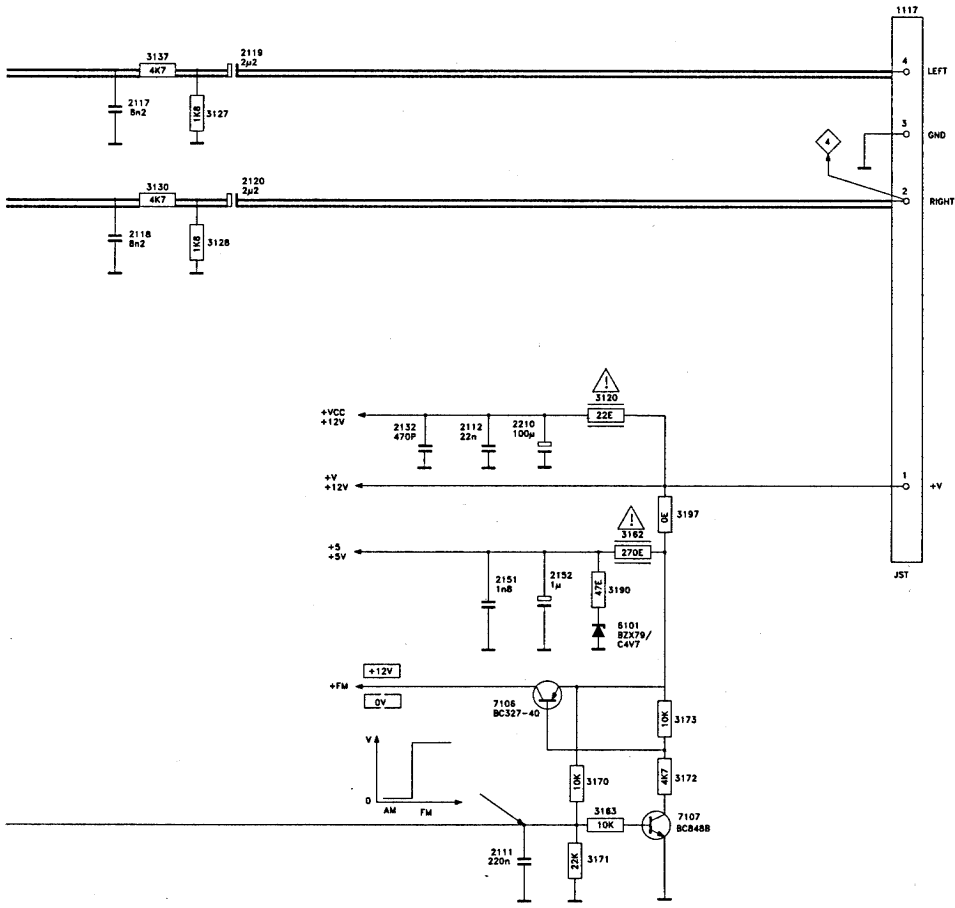


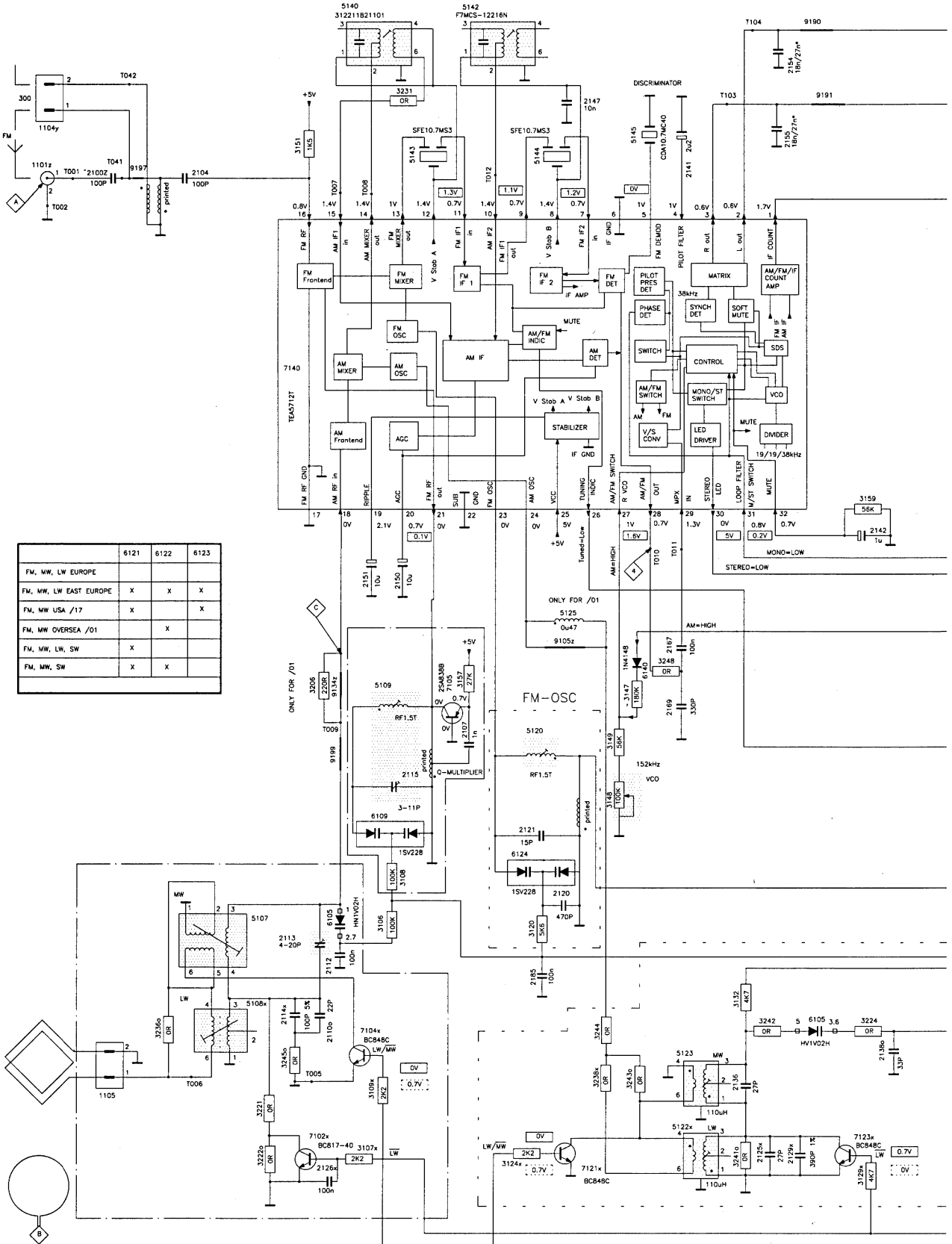
TUNER 94

FM FRONTEND

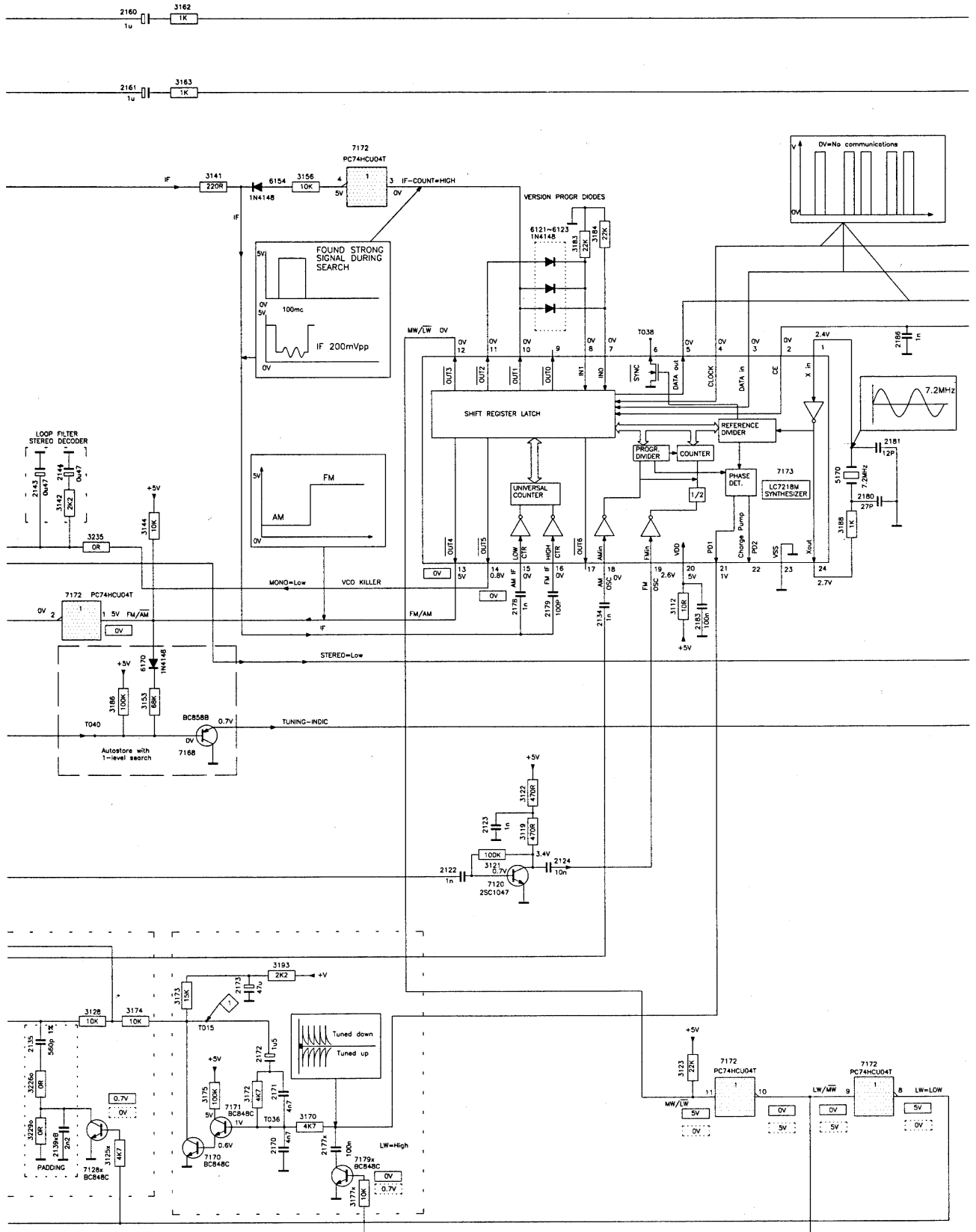


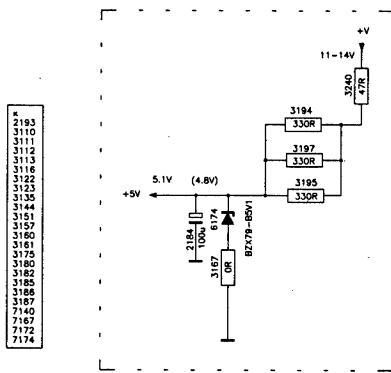
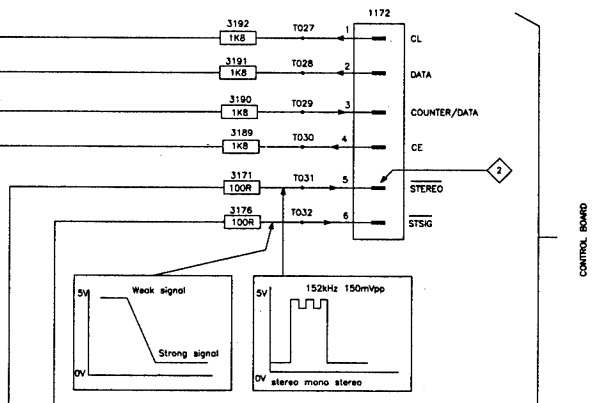
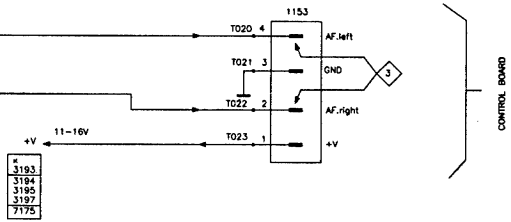




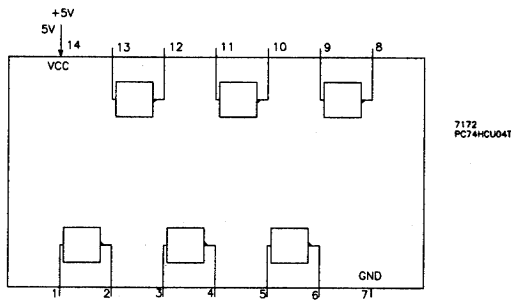
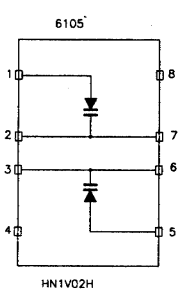


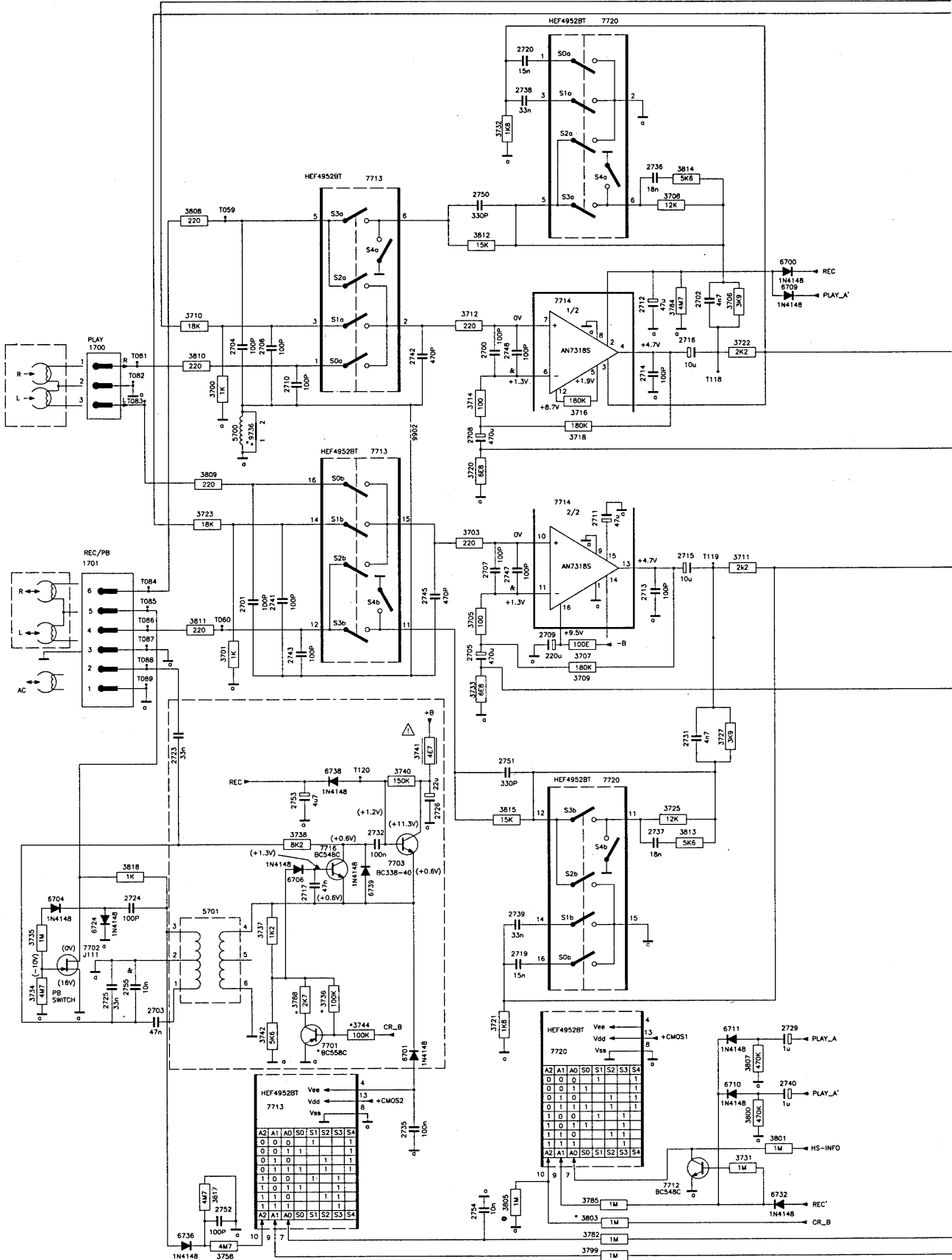
	6121	6122	6123
FM, MW, LW EUROPE			
FM, MW, LW EAST EUROPE	X	X	X
FM, MW USA /17	X		X
FM, MW OVERSEA /01		X	
FM, MW, LW, SW	X		
FM, MW, SW	X	X	

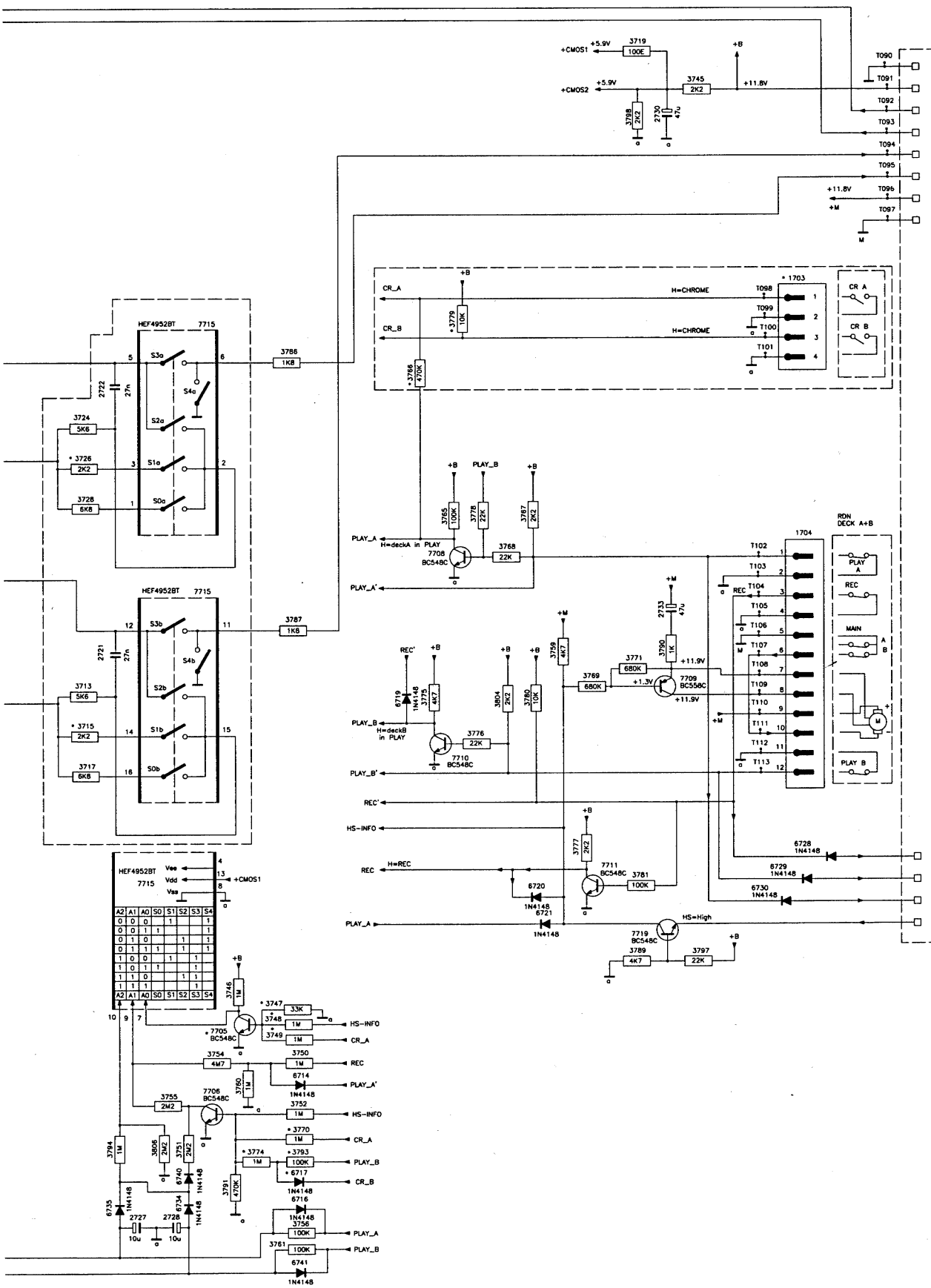




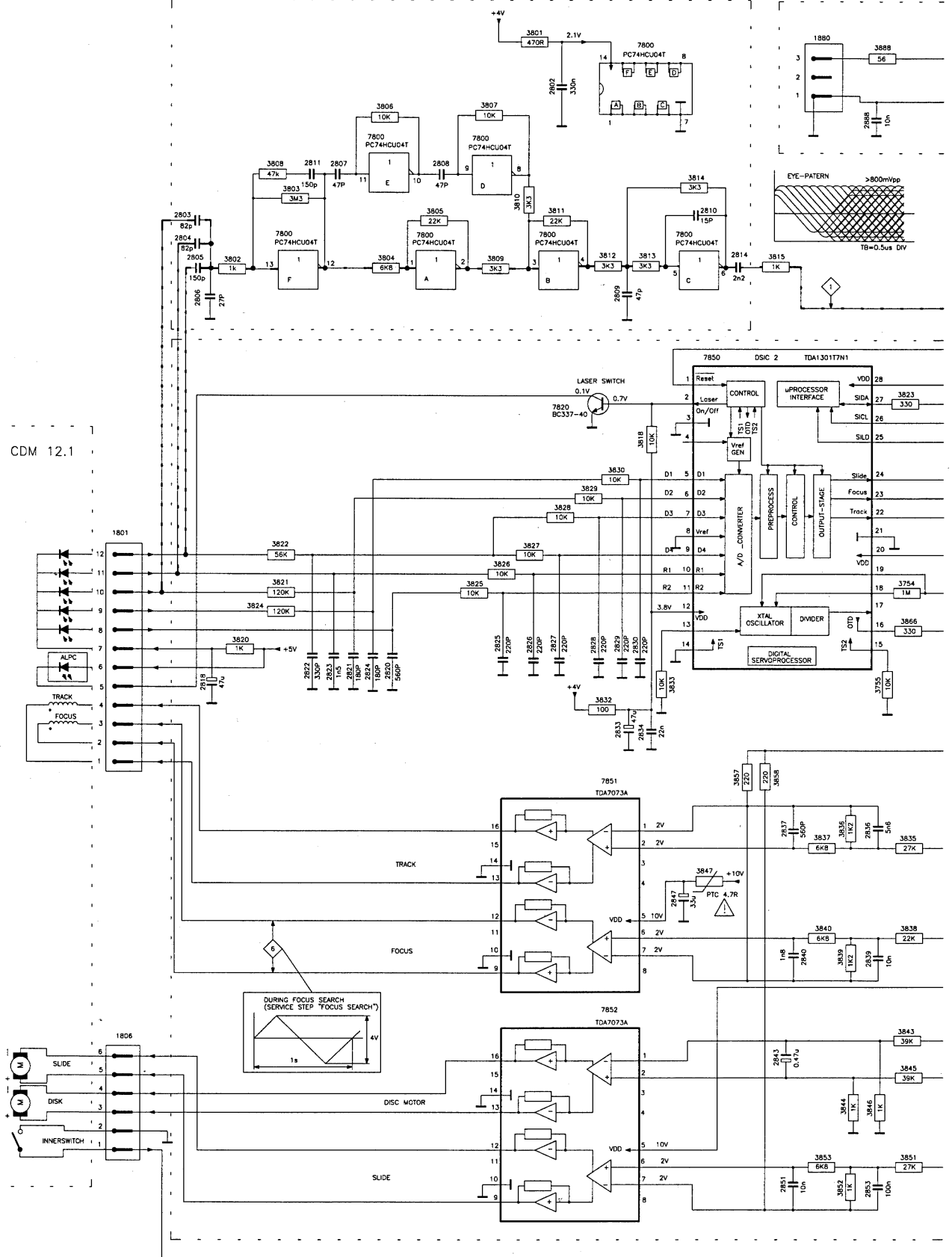
- Vdc FM cmepeo
- Vdc MV
- Vdc LW

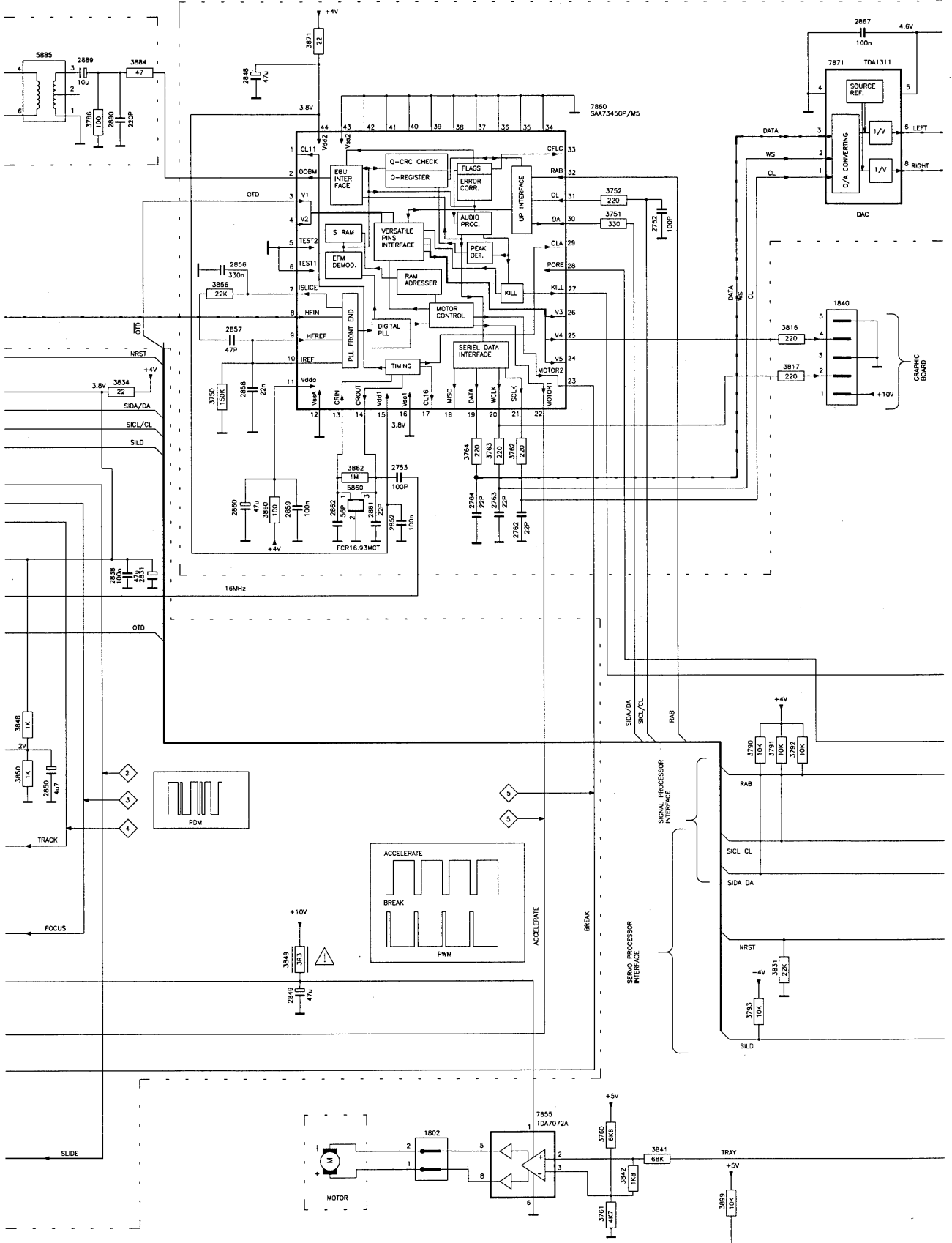


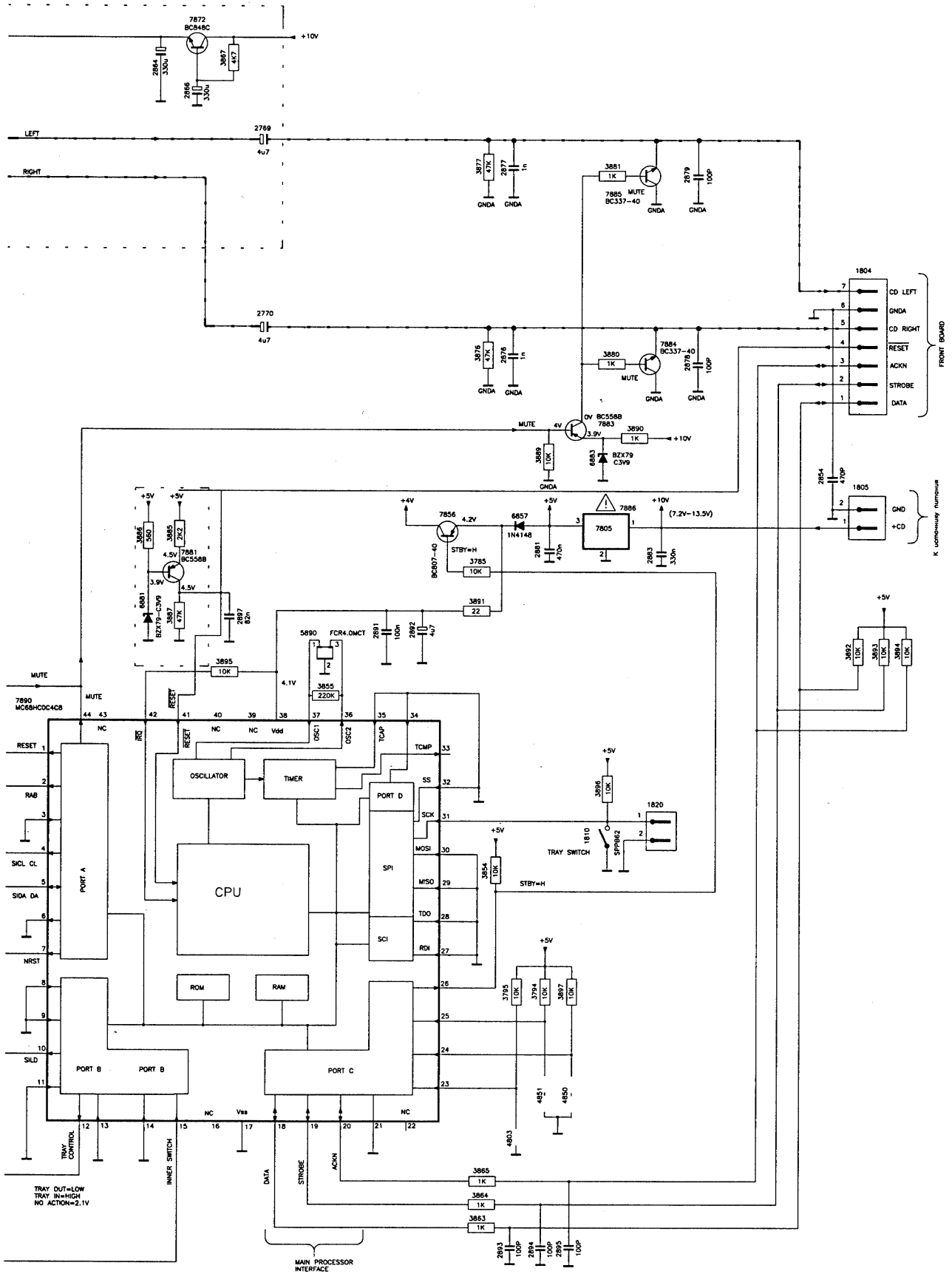




CDM 12.1





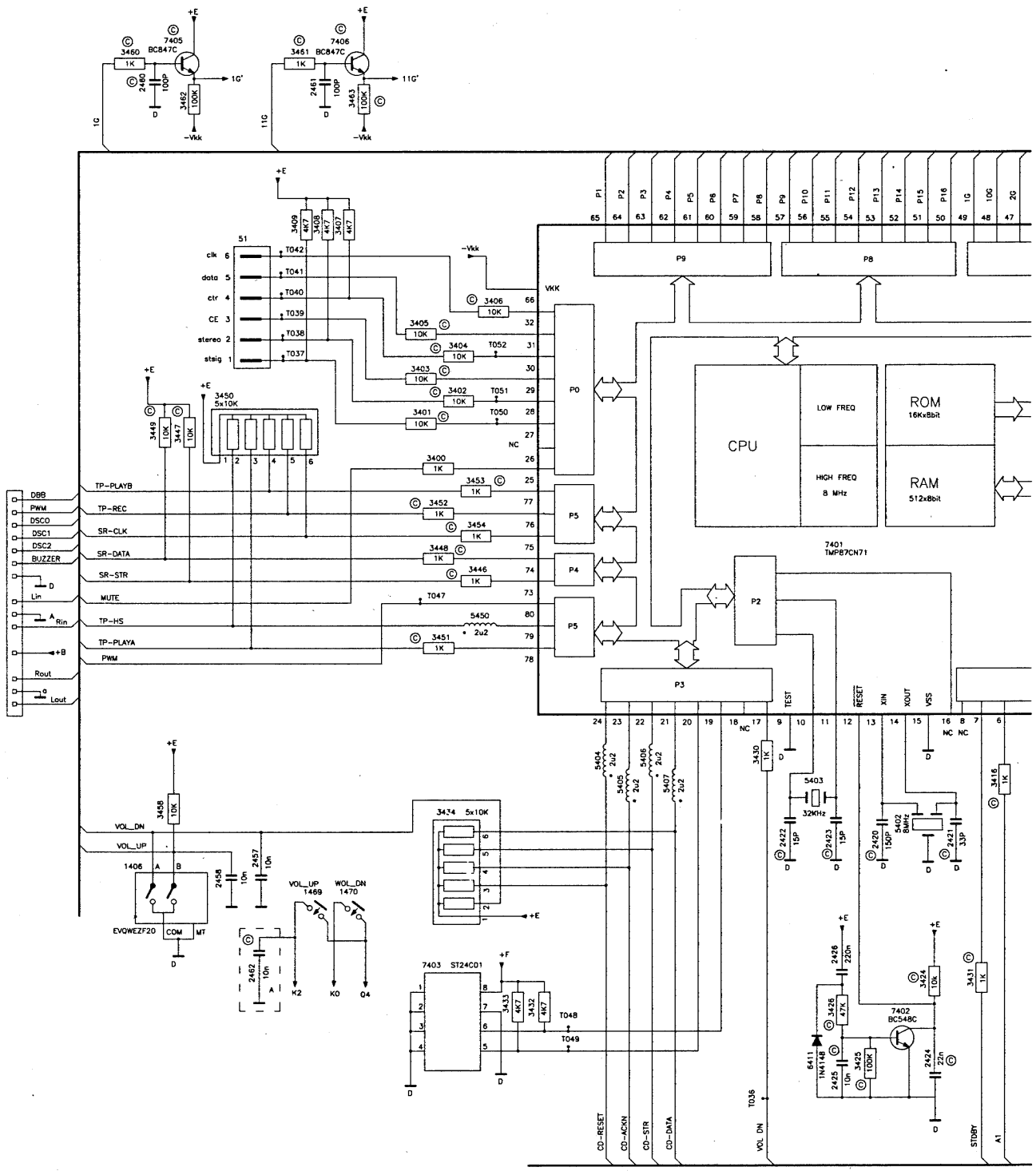


K. Latching memory

FRONT BOARD

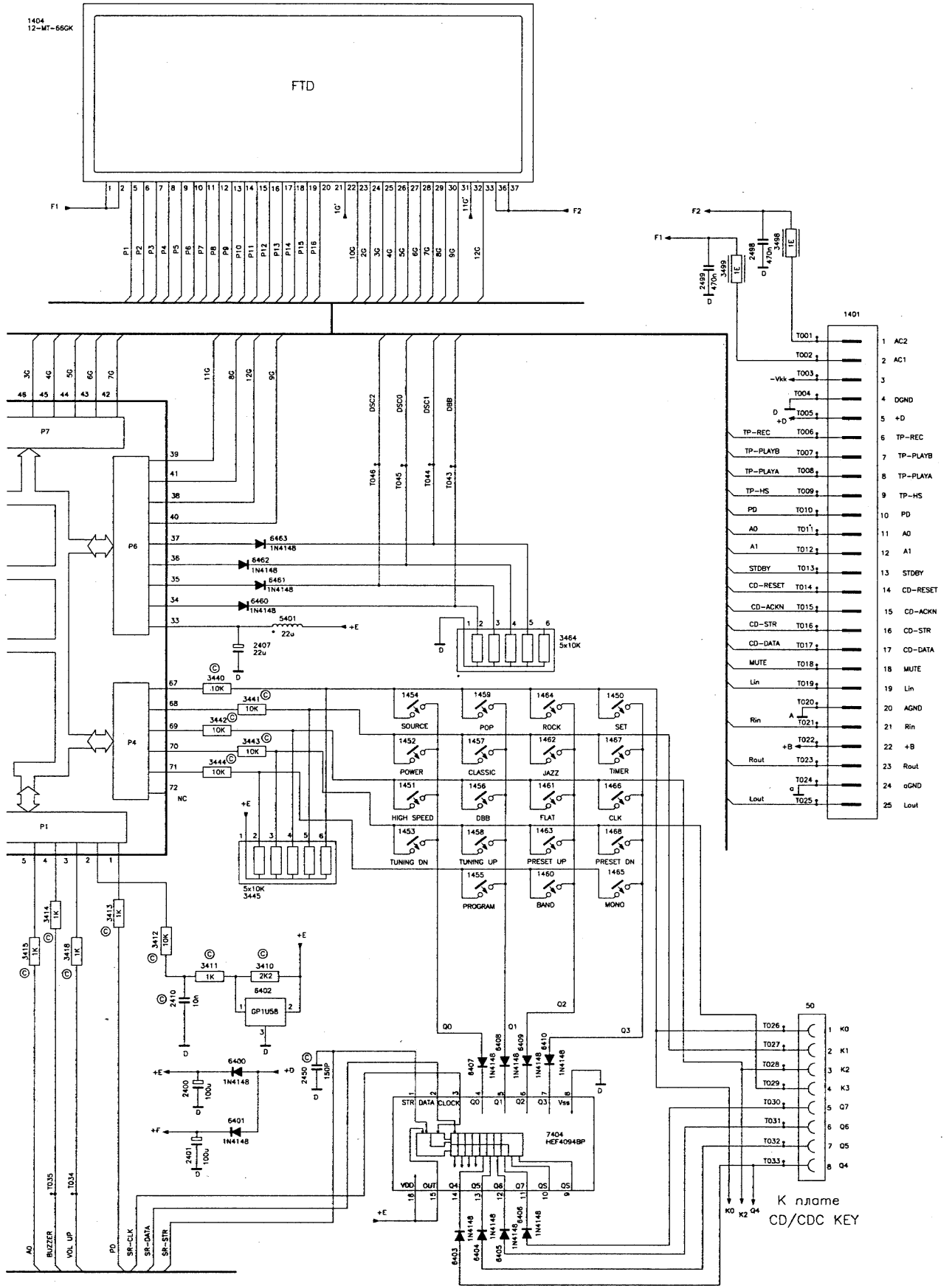
TRAY OUT=LOW
TRAY IN=HIGH
NO ACTION=2.1V

MAIN PROCESSOR INTERFACE



1404
12-MT-66CK

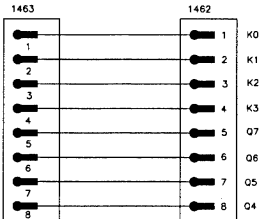
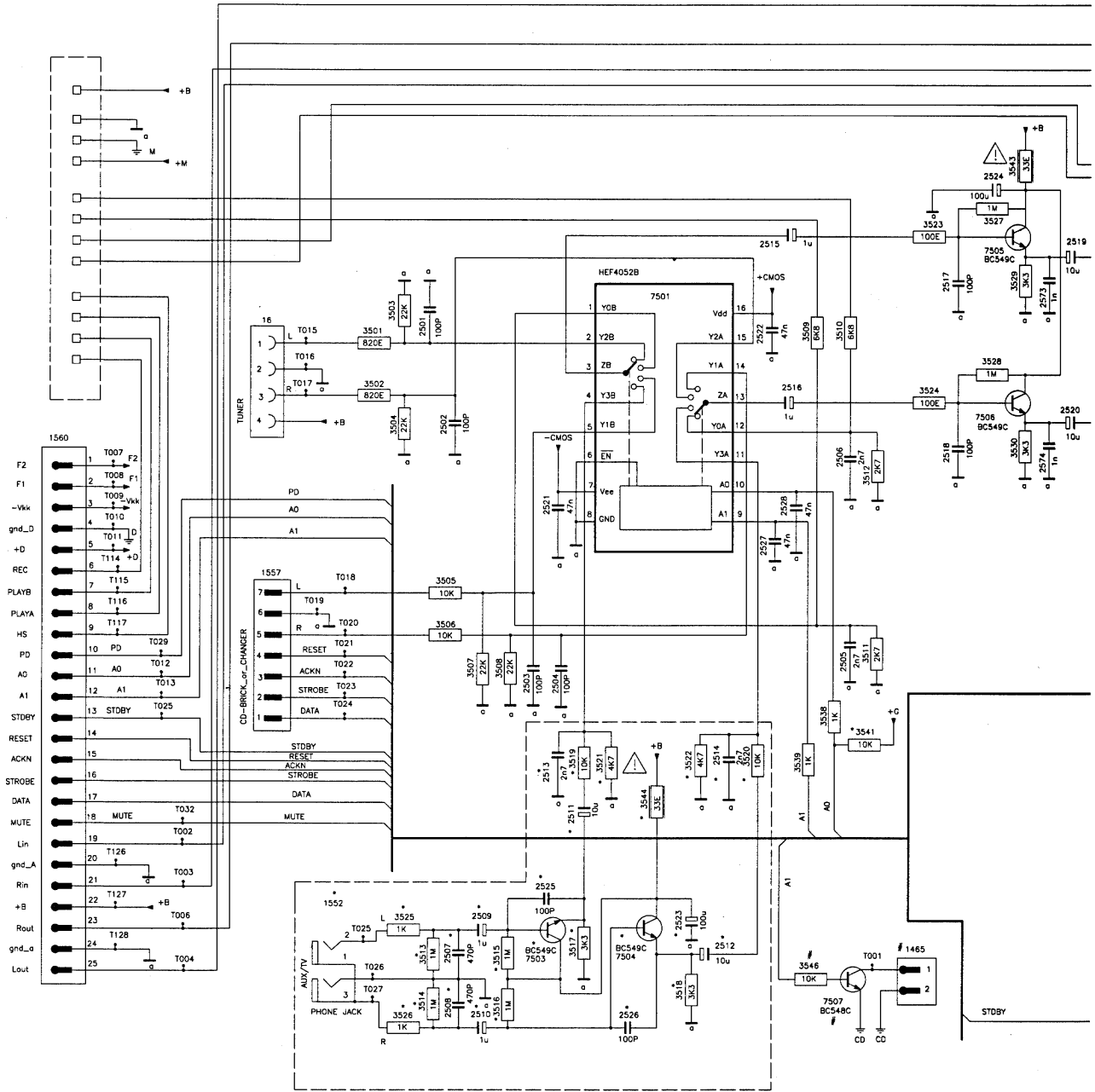
FTD



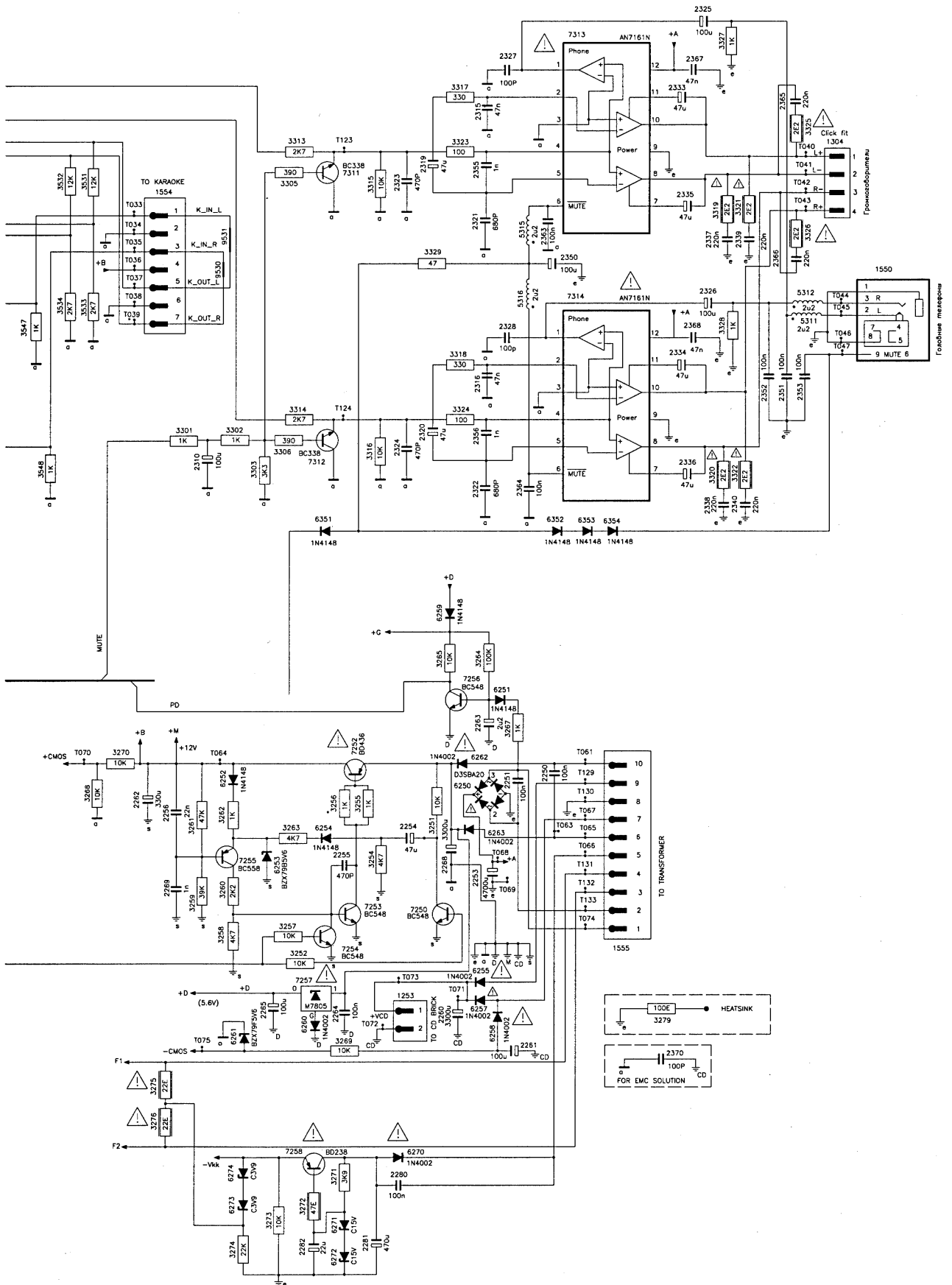
- 1401
- TOO1 1 AC2
 - TOO2 2 AC1
 - TOO3 3
 - TOO4 4 -Vkk
 - TOO5 5 +D
 - TOO6 6 TP-REC
 - TOO7 7 TP-PLAYB
 - TOO8 8 TP-PLAYA
 - TOO9 9 TP-HS
 - TO10 10 PD
 - TO11 11 A0
 - TO12 12 A1
 - TO13 13 STDBY
 - TO14 14 CD-RESET
 - TO15 15 CD-ACKN
 - TO16 16 CD-STR
 - TO17 17 CD-DATA
 - TO18 18 MUTE
 - TO19 19 Lin
 - TO20 20 AGND
 - TO21 21 Rin
 - TO22 22 +B
 - TO23 23 Rout
 - TO24 24 aGND
 - TO25 25 Lout

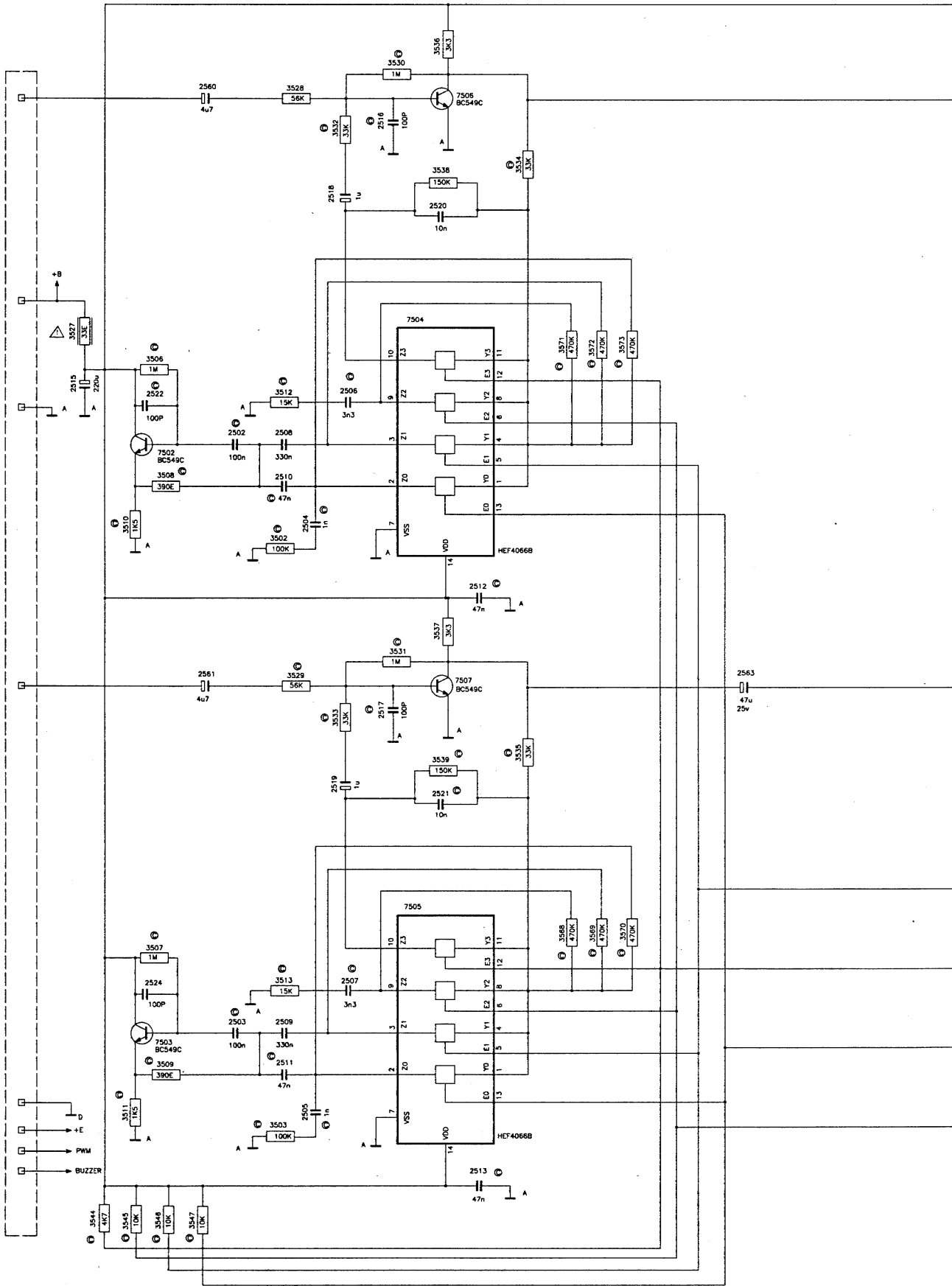
- 50
- 1 KO
 - 2 K1
 - 3 K2
 - 4 K3
 - 5 Q7
 - 6 Q6
 - 7 Q5
 - 8 Q4

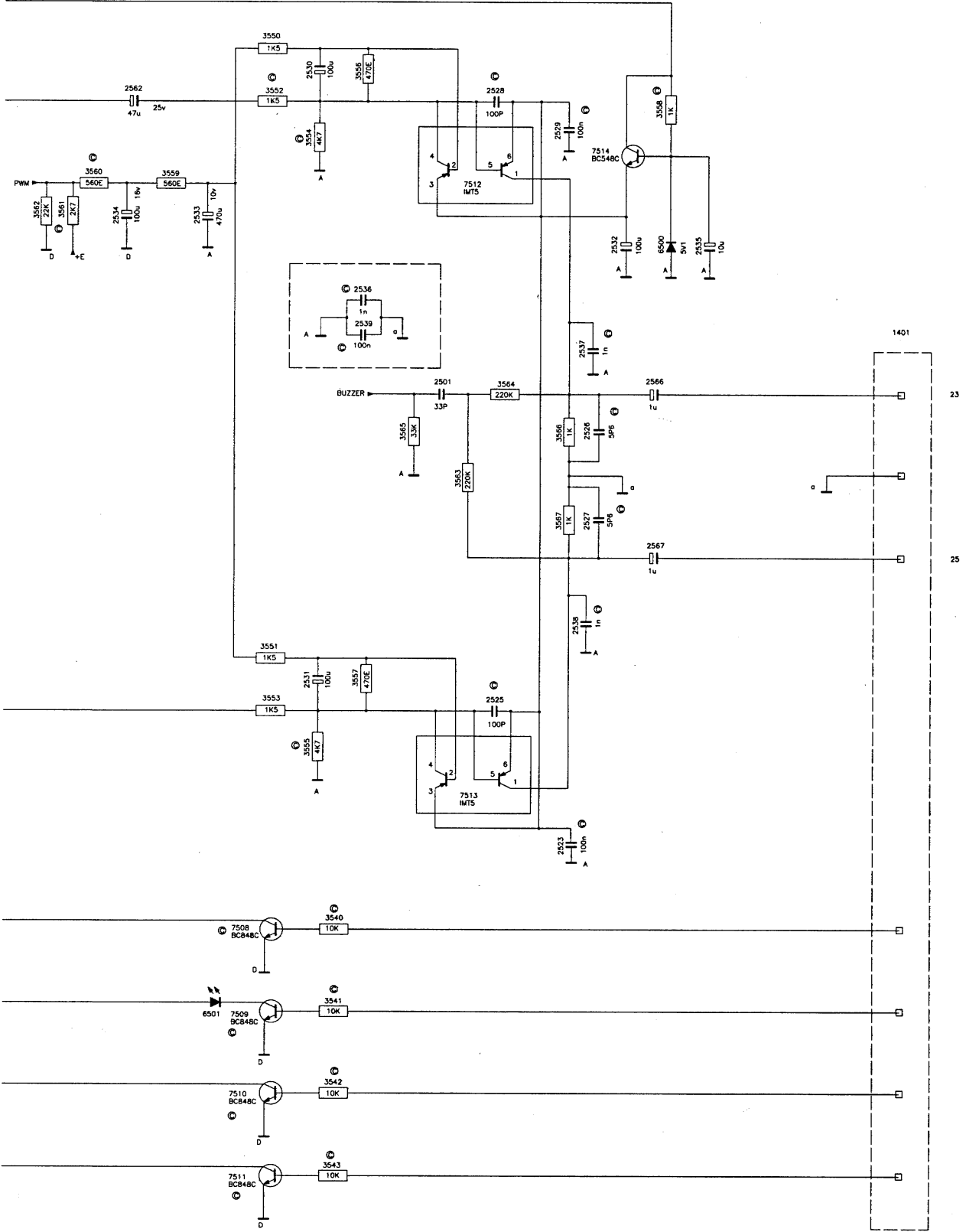
К плате
CD/CDC KEY

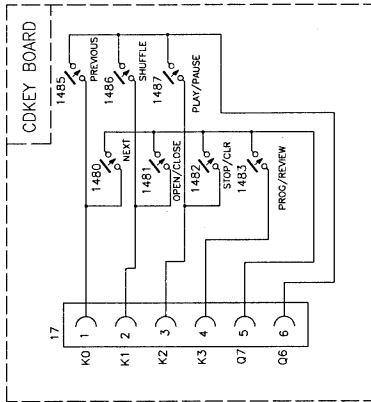
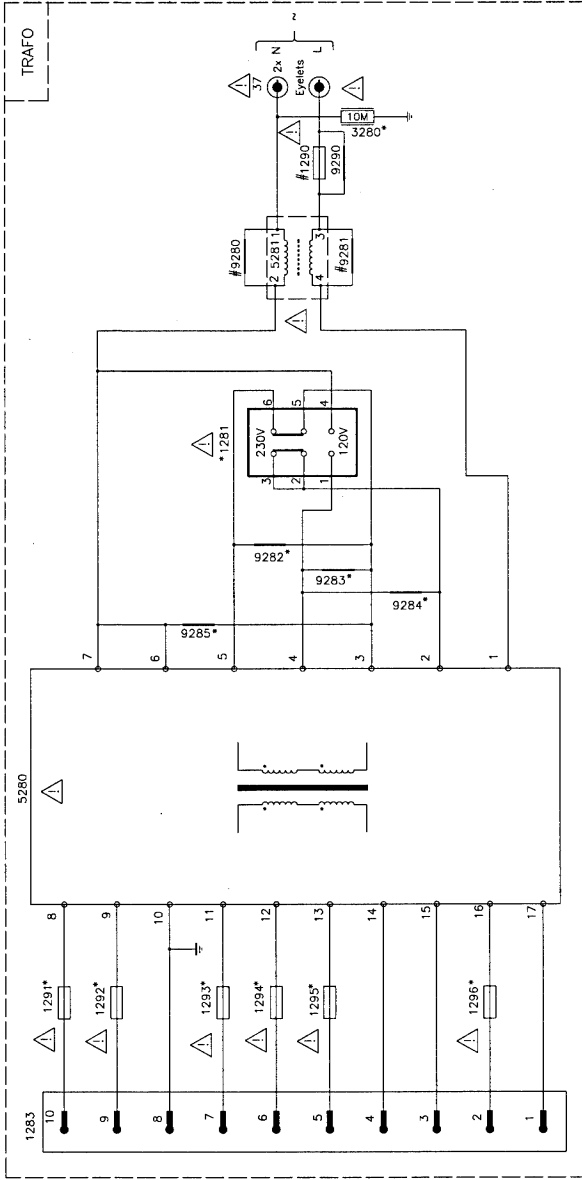


CONN 1462 6pin FOR CD
CONN1 1462 10pin FOR CDC









/20	110 B	127 B	240 B	100 B	120 B	
/22	230 B	220 V	240 V			
/33				1 A	1.25 A	
/34				160 mA	250 mA	
/35				5 A	6.3 A	
	1291					1281
	1292					3280
	1293					9282
	1294					9283
	1295					9286
	1296					9287

